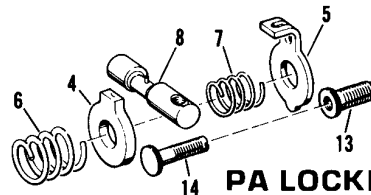
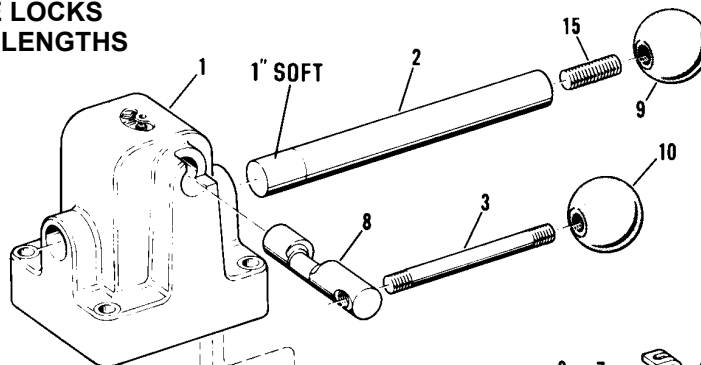




Grip-Master FIXTURE LOCKS

PRICES OF FIXTURE LOCKS WITH SPECIAL BAR LENGTHS

	2-FL	2-PA
10"	\$90.17	109.77
12"	92.78	115.00
14"	94.09	116.96
16"	97.35	118.92
18"	100.62	121.53
20"	103.24	125.45
24"	105.85	128.07
	9-FL	9-PA
12"	112.38	137.21
14"	115.00	134.60
16"	118.92	145.05
18"	121.53	147.67
20"	125.45	151.59
24"	128.07	154.20



PA LOCKING MECHANISM

STANDARD LOCKING MECHANISM

Index No.	Part Name	MODEL NUMBER			
		2-FL 2-PA**		9-FL 9-PA**	
		Part No.	Price	Part No.	Price
1	Body Casting (Note 1)	2-FL	--	9-FL	--
2	Bar, Locking, Standard	213-9"	\$22.22	913-10"	\$31.62
2	Bar, Special	213-10"	24.78	--	--
2	Bar, Special	213-12"	29.91	913-12"	43.58
2	Bar, Special	213-14"	31.62	913-14"	50.42
2	Bar, Special	213-16"	37.60	913-16"	56.40
2	Bar, Special	213-18"	44.44	913-18"	63.24
2	Bar, Special	213-20"	50.42	913-20"	69.22
2	Bar, Special	213-24"	57.26	913-24"	76.06
3	Handle	GM-3415	4.10	6815	6.40
4	Locking Ring	SV-3416	26.25	SV-6816	34.46
5	Holding Ring	PA-3416**	21.33	PA-6816**	31.17
6	Spring, Locking	GM-417	--	6817	--
7	Spring, Holding	PA-3417**	13.13	PA-6817**	9.84
8	Crank	GM-3418	18.05	GM-6818	34.46
8	Crank, with 1/8" Pin	GMPA-3418*	23.79	GMPA-6818**	36.10
9	Knob, Black -- 1" Dia., 1/4-20 thread	SV-3421	6.89	--	--
9	Knob, Red -- 1" Dia., 1/4-20 thread	RSV-3421**	3.94	--	--
9	Knob, Black -- 1 1/2" Dia., 3/8-24 thread	--	--	SV-6821	3.94
9	Knob, Red -- 1 1/2" Dia., 3/8-24 thread	--	--	RSV-6821**	7.88
10	Knob, Black -- 1 1/8" x 1 7/16" oval, 3/8-16 thread	OA-3421	3.94	--	--
10	Knob, Red -- 1 1/8" x 1 7/16" oval, 3/8-16 thread	ROA-3421**	6.89	--	--
10	Knob, Black -- 1 1/2" Dia., 3/8-24 thread	--	--	SV-6821	3.94
10	Knob, Red -- 1 1/2" Dia., 3/8-24 thread	--	--	RSV-6821**	7.88
12	Screw	SV-31	8.20	SV-31	8.20
13	Adjusting Screw -- Female	PA-32**	9.84	PA-32**	9.84
14	Adjusting Screw -- Male	PA-33**	9.84	PA-33**	9.84
15	Stud	3423	2.13	6823	2.30
16	Cover Plate	3437	3.53	6837	5.99

Recommended spare part to be retained in stock at all times to support each unit: Index (4) locking ring, Index (2) bar.
SEE OPERATION AND MAINTENANCE INSTRUCTIONS FOR GRIP-MASTER VISES ON THE GRIP-MASTER VISES PAGE

WHEN ORDERING PARTS, INDICATE PART NUMBER, MODEL NUMBER AND PRICE.